

AZZURRA

INSTALLATION INSTRUCTIONS

ECO SERIES TOILET



VERSION 1.0 2008

ECO

installation Instructions

FOREWORD



- Please ensure these installation instructions are current and for the product they are intended for.
- These instructions are a guide only and all Azzurra products must be installed and maintained by a trade qualified plumber.
- Ensure that the correct tools are used in each step of these procedures.
- Not recommended for offset pan collar exceeding 20mm.
- For further information and or product support contact Azzurra.

ECO

installation Instructions

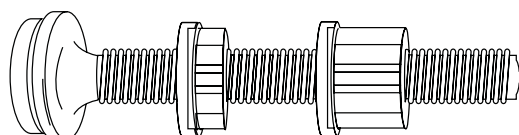
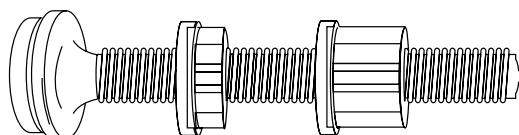
Pan Installation



1. Draw a horizontal line from the wall through the centreline of the waste outlet to the front of the pan position.
2. Place the pan in position and mark the position of the fixing holes.
3. Remove the pan and drill the holes. Insert floor plugs if fixing to a concrete floor.
4. Ensure that the floor area is clean.
5. Apply an approved silicone sealant around the pan base, and position the pan whilst checking that it is level and a good seal is maintained with the pan collar. Insert the fixing screw provided through the hole in the pan and into the plugs, check the pan for alignment and then tighten.
6. Remove any excess sealant from around the base.

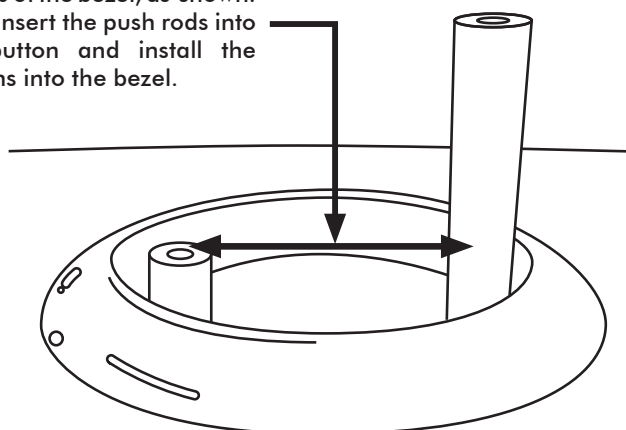
Cistern Installation

1. Remove the cistern from the carton and inspect for any transport damage.
2. With the rubber tapered sealing washer fitted to the screws apply a light coating of an approved sealant to the underside of the washers prior to inserting them through the bottom holes in the cistern. Secure the bolts to the cistern with the small backnut as shown.



3. Place sealing rubber on the tail of the outlet valve.
4. Position the cistern on the pan, ensuring that the sealing rubber has not twisted.
5. Fit the large nut on the underside of the pan and evenly tension the cistern to the pan.

Trim the rods to be level with the top of the bezel, as shown. Then insert the push rods into the button and install the buttons into the bezel.



6. Insert the pushrods into the cistern pushbutton bezel and mark them level with the top of the bezel.
7. Trim the pushrods at this mark and insert into the pushbuttons.
8. Install the buttons and test the flushing mechanism.
9. Before connecting the water service to the cistern it is important to flush the lines to remove any foreign matter.

ECO

installation Instructions

Seat Fixing



1. Position the seat on the pan and secure with the supplied fitting bolts.

Azzurra Imports Pty Ltd - Product Warranty can be found on the
Website at www.azzurra.com.au

For product support please call 1300 765 768