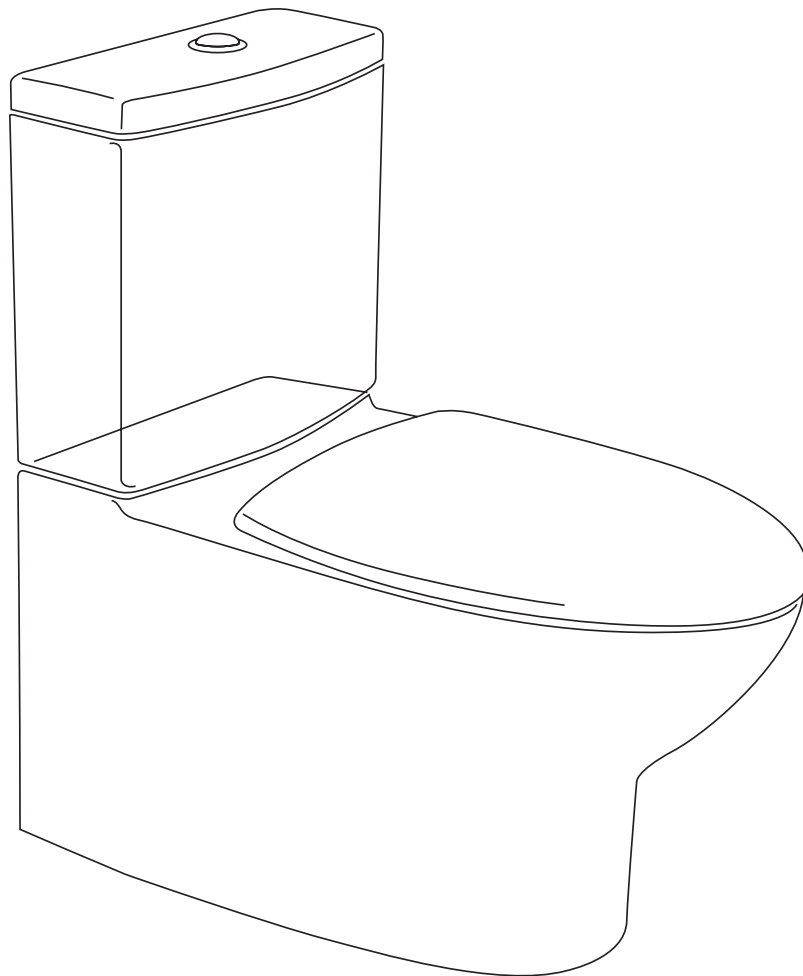


AZZURRA

INSTALLATION INSTRUCTIONS

BACK TO WALL BOTTOM INLET SERIES TOILET

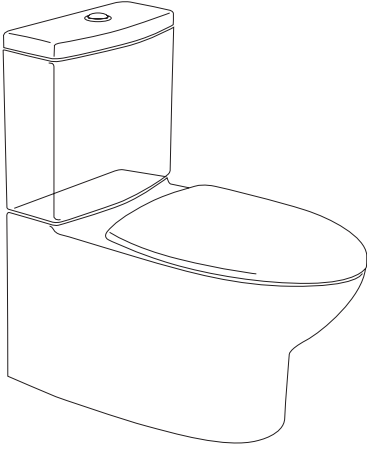


VERSION 1.0 2009

BACK TO WALL BOTTOM INLET

installation Instructions

FOREWORD



- Please ensure these installation instructions are current and for the product they are intended for.
- These instructions are a guide only and all Azzurra products must be installed and maintained by a trade qualified plumber.
- Ensure that the correct tools are used in each step of these procedures.
- Not recommended for offset pan collar exceeding 20mm.
- For further information and or product support contact Azzurra.
- This cistern allows right or left hand bottom inlet.

BACK TO WALL BOTTOM INLET

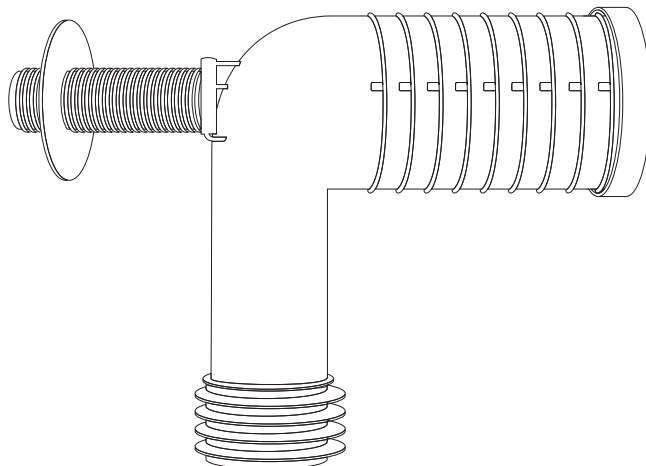
installation Instructions

S-Trap Connector Fixing Procedure



The pan is universal for both "S" and "P" trap installations as detailed. The bend supplied will accommodate a set out range. Refer to setout table on www.azzurra.com.au.

1. Mark centreline of the pan on finished wall which is to be used as a guide when connecting the pan.
2. Determine set out of existing waste outlet.
3. Insert connector bend into pan connector and determine cutting length of connection end to provide standard seal and centre height of 185mm, remove and cut to length.
4. Remove bur from cut edge of pan connector.



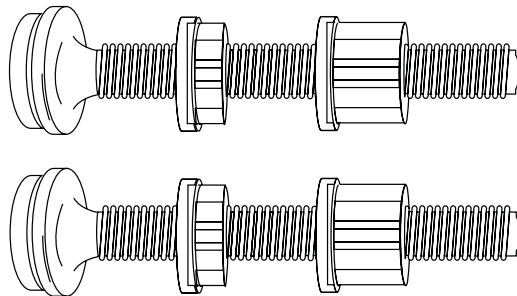
BACK TO WALL BOTTOM INLET

installation Instructions

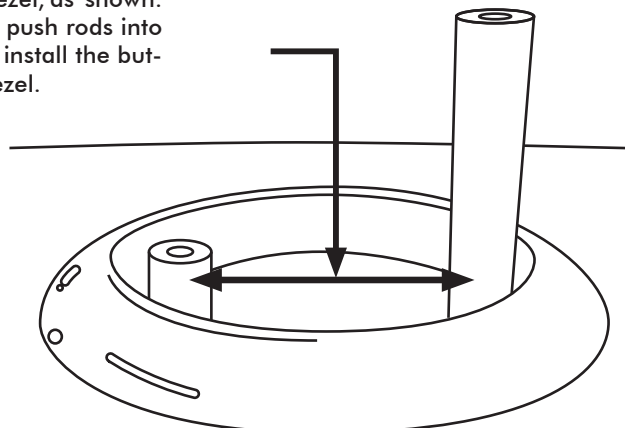
Cistern Installation

N.B: It is necessary to fit the cistern prior to pan installation.

1. Remove the cistern from the carton and inspect for any transport damage.
2. With the rubber tapered sealing washer fitted to the screws apply a light coating of an approved sealant to the underside of the washers prior to inserting them through the bottom holes in the cistern. Secure the bolts to the cistern with the small backnut as shown.
3. The bottom inlet can be changed right or left by interchanging with the bung in base of cistern.
4. Place sealing rubber on the tail of the outlet valve. For easy installation, attach flex hose to cistern inlet and drop through hole in pan for connection to inlet water tap.
4. Position the cistern on the pan, ensuring that the sealing rubber has not twisted.
5. Fit the large nut on the underside of the pan and evenly tension the cistern to the pan.



Trim the rods to be level with the top of the bezel, as shown. Then insert the push rods into the button and install the buttons into the bezel.



BACK TO WALL BOTTOM INLET

installation Instructions

Cistern Installation



6. Insert the pushrods into the cistern pushbutton bezel and mark them level with the top of the bezel.
7. Trim the pushrods at this mark and insert into the pushbuttons.
8. Install the buttons and test the flushing mechanism.
9. Before connecting the water service to the cistern it is important to flush the lines to remove any foreign matter.

BACK TO WALL BOTTOM INLET

installation Instructions

Pan Installation



1. Draw a horizontal line from the wall through the centreline of the waste outlet to the front of the pan position.
2. Place the pan in position and mark the position of the fixing holes.
3. Remove the pan and drill the holes. Insert floor plugs if fixing to a concrete floor.
4. Ensure that the floor area is clean.
5. Apply an approved silicone sealant around the pan base, and position the pan whilst checking that it is level and a good seal is maintained with the pan collar. Insert the fixing screw provided through the hole in the pan and into the plugs, check the pan for alignment and then tighten.
6. Remove any excess sealant from around the base.

BACK TO WALL BOTTOM INLET

installation Instructions

Seat Fixing



1. Position the seat on the pan and secure with the supplied fitting bolts.

Azzurra Imports Pty Ltd - Product Warranty can be found on the Website at www.azzurra.com.au

For product support please call 1300 765 768