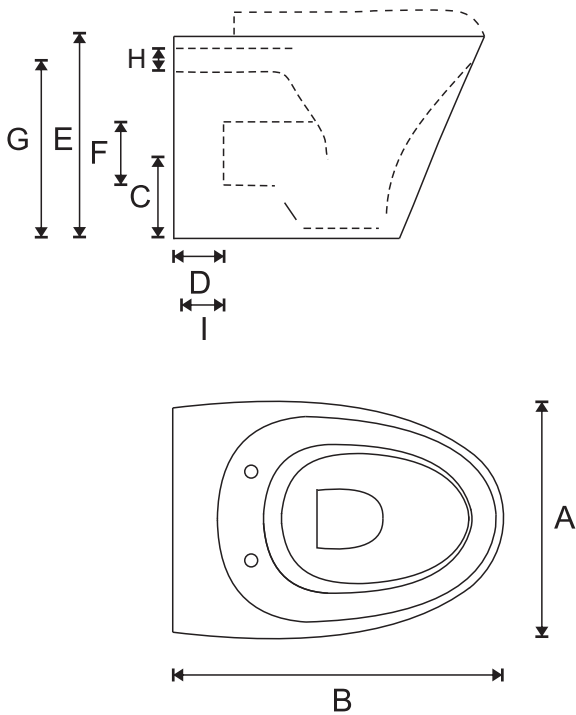




Optional installation cover for use with MTJT bend



CAL PEDESTAL BTW PAN

TECHNICAL SPECIFICATIONS

Description :

Full vitreous china back to wall Pedestal Pan with boxed rim and heavy duty soft close seat including pan fixing kit.

Model No: OK-0155

Colour: White

WELS: 4 Star Dual Flush 4.5/3L

Seat: Duraplas Quick Release Soft close with top fix S/S hinges

Connection: Suitable for use with WELS approved TECE, Geberit & Caroma inwall cistern Pan Outlet P Trap Key Seal not included Optional S Trap vario bend and cover available

Weight: Pan/Seat - 30kg

Warranty: Refer to Website

Catalogue & technical specifications available at www.azzurra.com.au

All measurements in mm								
A	B	C	D	E	F	G	H	I*
Pan (Width)	Suite (Length)	Uni Trap Centre	Wall To Spigot	Pan (Height)	Trap Dia	Inlet Height Centre	Inlet Dia	Outlet Set out MTJT Bend
360	520	185	50	390	100	345	50	80

* Optional outlet bend at extra charge.

